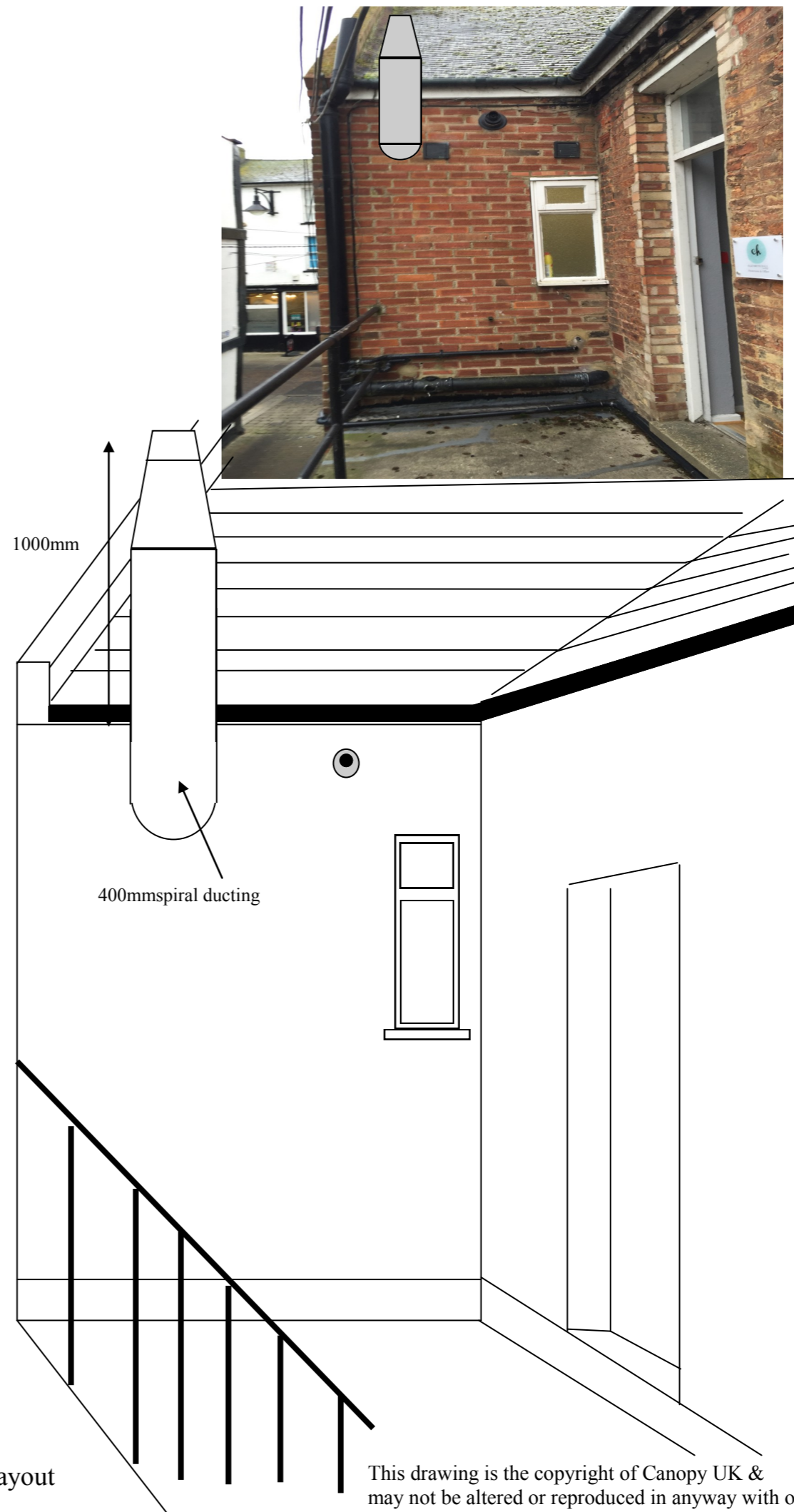
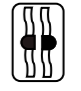



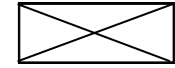

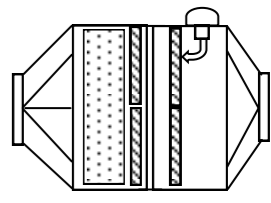
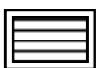


Proposed ducting layout



Drawing Notes

All the ducting internal and external attaching to the canopy will be new.

- S&P TCBB/4- 400mm 
- Ant-vibrations couplings 
- 400 x 500 mm & Silencer 
- Ducting 400mm spiral 
- Canopy Size 2300 x 1200mm 
- Air in grills Air Flow 
- Carbon filter Pre filter housing 
- Weather Grill 

REF:
7 Crown Street
St Ives
PE27 5EB

Scale: not to scale

Date 25/01/2016
Layout Modified

Ideal Catering Solutions
Tell 01953851687



This drawing is the copyright of Canopy UK & may not be altered or reproduced in anyway with out their written consent